

Motorcycle Batteries

BIKE POWER **CLASSIC**



intAct Bike-Power Classic

Low-maintenance lead-acid battery | dry-charged, acid pack included



intAct
BATTERY - POWER

POWERFUL AND SUSTAINABLE

The solid battery without frills delivers high starting power, with regular maintenance it achieves a long service life and has excellent recycling properties. Our recommendation for an inexpensive standard motorcycle battery.

- » Reliable starting power at an excellent price.
- » Replacement recommendation for broken flooded battery.
- » Central degassing.
- » Only to be installed upright, as flooded battery with vent caps.

Datasheet

BIKE
POWER **CLASSIC**



Artnum. IC 6N4B-2A-3

Japan-Code 6N4B-2A-3

Volt 6V

Capacity 4 AH (c20)

CCR - 18°C (EN) 10 A (EN)

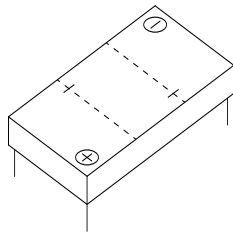
Electrolyte diluted sulphuric acid

Electrolyte density 1,28 +/- 0,01 kg/l (25°)

Size (LxWxH) 100 x 47 x 96 mm

Weight 0,9 kg

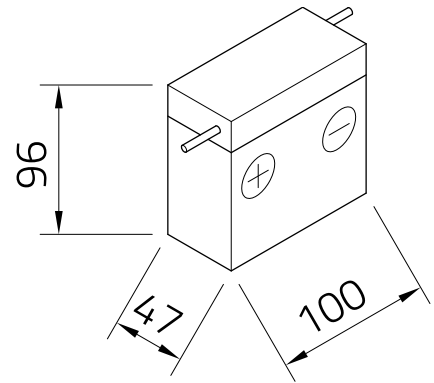
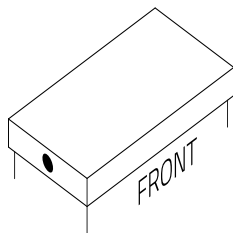
Pos. of Terminal 1



Technology Low-maintenance lead-acid battery | dry-charged, acid pack included

Terminal

Degassing 1



LANDPORT
BATTERIES

Landport Batteries
Ramgatseweg 63
4941VN Raamsdonksveer

+31 (0) 162 58 14 00
www.landportbv.com