

Motorcycle Batteries

BIKE
POWER **CLASSIC**



intAct Bike-Power Classic

Low-maintenance lead-acid battery | dry-charged, acid pack included



intAct
BATTERY - POWER

POWERFUL AND SUSTAINABLE

The solid battery without frills delivers high starting power, with regular maintenance it achieves a long service life and has excellent recycling properties. Our recommendation for an inexpensive standard motorcycle battery.

- » Reliable starting power at an excellent price.
- » Replacement recommendation for broken flooded battery.
- » Central degassing.
- » Only to be installed upright, as flooded battery with vent caps.

Datasheet

BIKE
POWER **CLASSIC**



Artnum. IC C60-N30L-A

Japan-Code C60-N30L-A

Volt 12V

Capacity 30 AH (c20)

CCR - 18°C (EN) 300 A (EN)

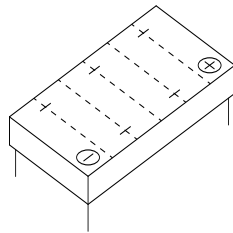
Electrolyte diluted sulphuric acid

Electrolyte density 1,28 +/- 0,01 kg/l (25°)

Size (LxWxH) 187 x 130 x 170 mm

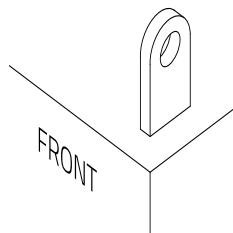
Weight 8 kg

Pos. of Terminal 0

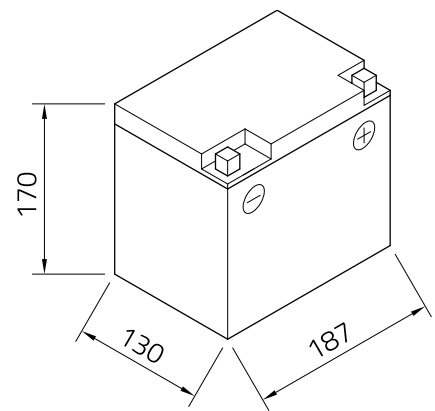
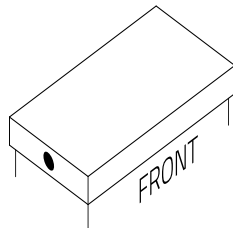


Technology Low-maintenance lead-acid battery | dry-charged, acid pack included

Terminal G



Degassing 1



LANDPORT
BATTERIES

Landport Batteries
Ramgatseweg 63
4941VN Raamsdonksveer

+31 (0) 162 58 14 00
www.landportbv.com