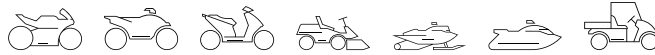


Motorcycle Batteries



intAct Bike-Power GEL

Sealed maintenance-free GEL battery | electrolyte immobilized by gel-additive | wet charged



FOR HEAVY LOADS, INCLUDING ABS

Delivers 30% more starting power for modern motorcycles with many electrical consumers and covers consumption peaks. Low self-discharge, bike starts reliably even after up to 3 months. Our recommendation if many consumers are installed or the motorcycle is rarely used.

- » **Even more cycle-resistant** than Bike-Power AGM and Bike-Power SLA of the same box size.
- » **Low self-discharge.** For seasonal use.
- » **Very high vibration-resistance.** Electrolyte immobilized by gel-additive.
- » **30% more starting power** than a conventional battery of the same box size. For motorcycles with many consumers, including ABS.
- » **Sealed maintenance-free** battery. Refilling is neither possible nor necessary.
- » Wet charged. **Ready to use.**

Datasheet



Artnum. IG C60-N30L-A

Japan-Code C60-N30L-A, 53030

Volt 12V

Capacity 30 AH (c20)

CCR - 18°C (EN) 400 A (EN)

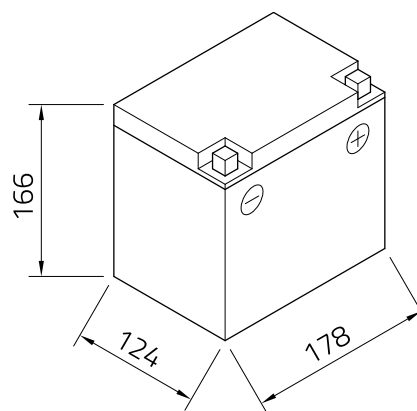
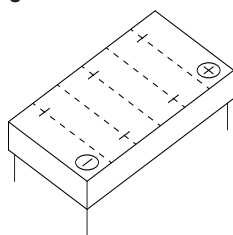
Electrolyte diluted sulphuric acid

Electrolyte density 1,28 +/- 0,01 kg/l (25°)

Size (LxWxH) 178 x 124 x 166 mm

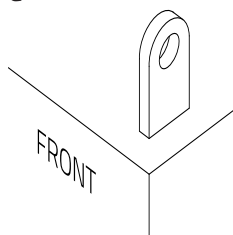
Weight 9,3 kg

Pos. of Terminal 0



Technology Sealed maintenance-free GEL battery | electrolyte immobilized by gel-additive | wet charged

Terminal G



Base plate -