

Motorcycle Batteries



intAct Bike-Power HVT

Sealed maintenance-free AGM battery with heavily compressed plate packs | electrolyte held in glass fibre separators

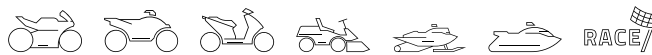


EXTREMELY VIBRATION-RESISTANT DESIGN

The durable energy bundle absorbs the strongest shocks from Harleys and other high-capacity bikes and also starts two-wheelers with high electrical energy requirements (e.g. with ABS). Our recommendation for motorcycles that need a lot of starting power and of course with strong vibrations.

- » Perfect for **Harleys** and other bikes with **high-capacity 2-cylinder engines**.
- » **Highest cold cranking amper:** For two-wheelers with high energy requirements, e.g. due to ABS safety technology.
- » **Extremely vibration-resistant.** Plate packs compressed and precisely fitted into the battery box.
- » **Robust housing made of impact-resistant plastic.** For heavy mechanical stress.
- » **Leak-proof.** Can be installed **at an angle**, as the electrolyte is held in glass fibre mat.
- » **Sealed maintenance-free.**

Datasheet



Artnum.

IH HVT 02

Japan-Code

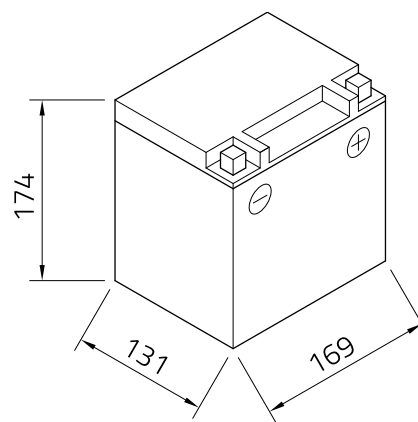
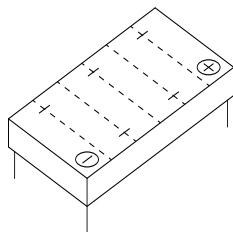
CIX30L-BS, 66010-97A

Volt 12V
Capacity 30 AH (c20)
CCR -18°C (EN) 380 A (EN)

Electrolyte diluted sulphuric acid
Electrolyte density 1,32 +/- 0,01Kg/l (25°)
Size (LxWxH) 169 x 131 x 174 mm

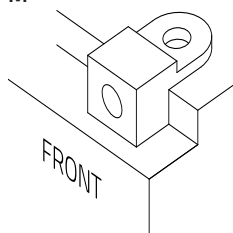
Weight 10,2 kg

Pos. of Terminal 0



Technology Sealed maintenance-free AGM battery with heavily compressed plate packs | electrolyte held in glass fibre separators

Terminal M



Base plate -