

Motorcycle Batteries



intAct Bike-Power SLA

Sealed maintenance-free AGM battery (electrolyte held in Absorbent Glass Mat separators) | wet charged



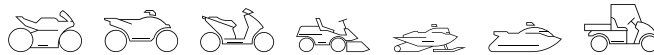
READY-TO-USE ALL-ROUNDER

Withstands the frequent charging cycles in seasonal use and on many short trips slightly better than conventional flooded batteries and starts reliably even when not fully charged. Our recommendation for an inexpensive absolutely maintenance-free battery.

- » **High power reserve.** Significant starting power even when partially discharged.
- » **Shake-proof.** The plates are firmly embedded in the glass fibre mat.
- » **Sealed maintenance-free** with gas recombination, where refilling is neither possible nor necessary.
- » **Leak-proof.** The battery can be installed at an angle, as the electrolyte is held in a glass fibre mat and the battery is factory sealed.
- » Wet charged. **Ready to use.**

Datasheet

BIKE
POWER **SLA**



Artnum.

IS YTZ7-S

Japan-Code

CTZ7-S

Volt

12V

Capacity

6 AH (c20)

CCR - 18°C (EN)

80 A (EN)

Electrolyte

diluted sulphuric acid

Electrolyte density

1,32 +/- 0,01 kg/l (25°)

Size (LxWxH)

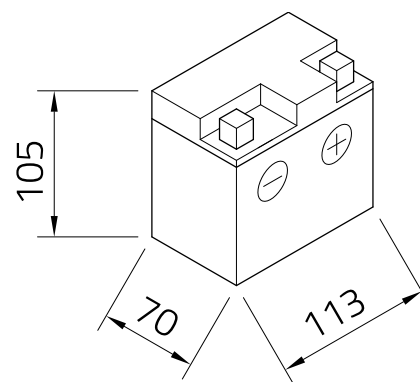
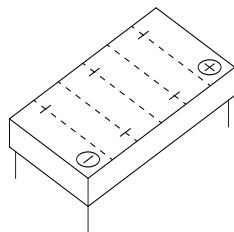
113 x 70 x 105 mm

Weight

2,2 kg

Pos. of Terminal

0

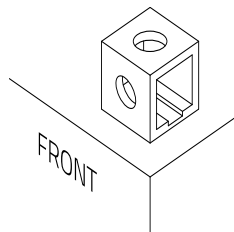


Technology

Sealed maintenance-free AGM battery
(electrolyte held in Absorbent Glass Mat
separators) | wet charged

Terminal

A



Base plate

-

LANDPORT
BATTERIES

Landport Batteries
Ramgatseweg 63
4941VN Raamsdonksveer

+31 (0) 162 58 14 00
www.landportbv.com