

LB3L-B (12V 3Ah)



Item Code: MD LB3L-B
 EAN: 8717101015254

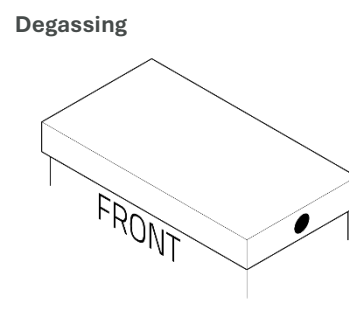
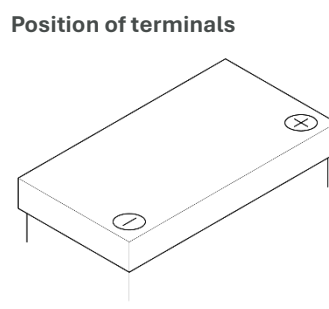
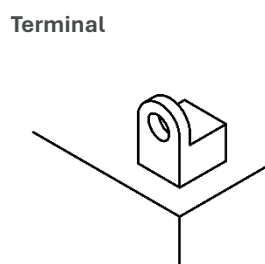
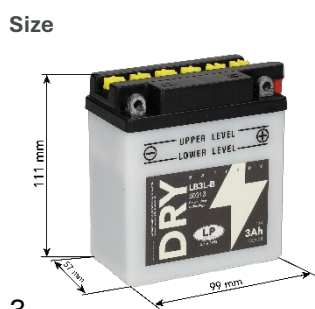
Features

- ⚡ Conventional battery
- ⚡ Robust technology
- ⚡ Reliable starting battery
- ⚡ OEM Quality
- ⚡ Supplies with acid pack



Specifications

Nominal Voltage	12V								
Cold Cranking Ampere (CCA)	28A								
Nominal Capacity	3Ah								
Container Material	ABS								
Approx. Weight	1.29 kg (2.84bs)								
Acid Weight	0.31 kg (0.68lbs)								
Layout	15								
Terminal	B								
Dimensions	<table border="0"> <tr> <td>Length</td> <td>98 mm</td> </tr> <tr> <td>Width</td> <td>56 mm</td> </tr> <tr> <td>Height</td> <td>110 mm</td> </tr> <tr> <td>Total Height</td> <td>110 mm</td> </tr> </table>	Length	98 mm	Width	56 mm	Height	110 mm	Total Height	110 mm
Length	98 mm								
Width	56 mm								
Height	110 mm								
Total Height	110 mm								



Alternatives

LP Batteries

Technology	Art. number
GEL	-
SLA	MS LB3-3
AGM	-
DRY	-

Other Brands

IG CB3L-B

(Note) All above information shall be changed without prior notice, Landport Batteries reserves the right to explain and update the latest information.